



Pintle Highboy Trailer

ORIGINAL

Series

**QUALITY BUILD
QUALITY PEOPLE**



4802 - 57th Ave. Two Hills, AB T0B 4K0 | Phone: (780) 657-0008

www.doubletrailers.ca

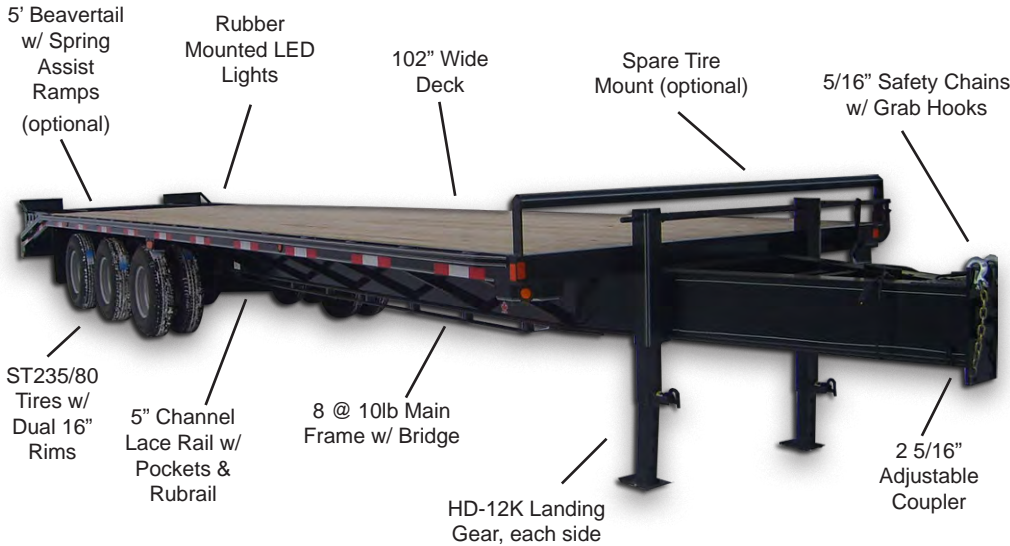


Pintle Highboy Trailer



ORIGINAL

Series



HB308-36'



SP3 - Spare Tire & Rim



TB1 - A-Frame Toolbox



BT2 - Beavertail w/ Center Lift & Spring Assist Ramps



R7 - 7' Slide Out Ramps

TORSION OPTIONS

- TS20 20K GVW Torsion Upgrade
- TS21 21K GVW Torsion Upgrade

AXLE OPTIONS

- 242 GVW Upgrade - 21K to 24K (3:8K)
- 36 GVW Upgrade - 30K (2:15K) to 36K (3:12K)
- 45 GVW Upgrade - 30K (2:15K) to 45K (3:15K)

BRAKES

- E1 Brakes Upgrade - Electric over Hydraulic (All GVW's)
- V1 Brakes Upgrade - Vacuum over Hydraulic
- A1 Brakes Upgrade - Air for Tandem 10-15K

HITCH

- AD3 Coupler Upgrade - 2-5/16" Adjustable (20-21K GVW)

TIRES & RIMS

- SP3 Spare - 16" Single (ST235/80R16)
- SP4 Spare - 16" Dual (ST235/80R16)
- SP5 Spare - 16" Single (ST235/85R16)
- SP6 Spare - 16" Dual (ST235/85R16)

JACKS

- J4 Jack Upgrade - 2 Speed
- J5 Jack Upgrade - 2 Speed, Dual, 30K

RAMPS

- SR6 Ramps Upgrade - 6' Stand Up
- R7 Ramps Upgrade - 7' Slide Out
- R7HD Ramps Upgrade - 7' Slide Out Heavy Duty
- R8 Ramps Upgrade - 8' Slide Out

BEAVERTAIL & DOVETAIL

- BT1 Beavertail - Spring Assist Ramps
- BT2 Beavertail - Center Lift & Spring Assist Ramps
- BT3 Beavertail - Spring Assist Ramps (30K GVW +)
- BT4 Beavertail w/Center Lift & Spring Assist Ramps (30K GVW & Up)
- BT5 Beavertail - 6' Stand Up Wood Filled Ramps (Paver Special)
- BT6 Beavertail - 9' Hydraulic
- BT7 Conquer Ramps - 5' Full Width Ramps w/Spring Assist
- TPBT Adds Treadplate to Beavertail Ramps & Center Lift
- DT2 Dovetail - 2'
- DT4 Dovetail - 4'

FRAME UPGRADES

- F1 Upgrade Channel to Next Size Up (pr/ft)
- F2 Upgrade Wide Flange Beam to Next Weight/Size Up (pr/ft)

TOOLBOXES

- TB1 Tool Box - A-Frame
- TB2 Tool Box - Side Mount (24" or 36")
- TB6 Tool Box - 48"x18"x18"

MISC OPTIONS

- WP Winch Plate
- SWT Winch Track - Sliding (pr/ft)
- W4 Winch - 4"
- ATP1 Aluminum Treadplate Package (Cover Tool Box & Gussets)
- DR1 Dunnage Rack - 8' Mesh
- T3 Tilt Deck - Scissor Hoist (7 ton)
- LR1 Live Roll - 4.5"
- LP Low Profile Deck (lowers Deck 4")
- PS1 Pipe Spools (between Pockets)
- PS Pocket Stakes - 24"
- MSH2 Mesh in A-Frame
- FIR Deck Upgrade - Fir
- EZ Lube Hubs
- T3 Tilt Deck - Scissor Hoist (7 ton)

STANDARD FEATURES

Width:	102" Overall Width	Safety Chains:	5/16 Grade 70 with Grab Hooks
Deck Height:	36"	Wiring:	Arctic Wiring, soldered & enclosed in conduit
Lace Rail:	5" Channel with Pockets & Rubrail	Lights:	Rubber Mounted LED
Coupler:	2 5/16" Adjustable	Toolbox:	None
Crossmembers:	3" Channel on 18" Centers	Decking:	2" Treated Wood, fastened w/ 1/4" Torx Screws
Main Frame:	8 @ 10 lb	Finish:	Sandblasted & Painted w/ PPG Urethane Paint

MODEL SPECS

	Axle Size	Tire & Rim	Carrying Capacity	Tare Weight	Landing Gear
HB208-22'	(2) 10K, Electric Brakes	Dual 235/80 R16	16,348 lb's	9,587 lb's	(1) 12K
HB208-24'			16,220 lb's	9,780 lb's	
HB208-26'			16,060 lb's	9,940 lb's	
HB208-28'			15,900 lb's	10,100 lb's	
HB208-30'			15,740 lb's	10,260 lb's	
HB218-16'	(3) 7K, Electric Brakes	235/80 R16	17,890 lb's	10,110 lb's	(1) 12K
HB218-18'			17,730 lb's	10,270 lb's	
HB218-20'			17,573 lb's	10,427 lb's	
HB218-22'			17,348 lb's	10,587 lb's	
HB218-24'			17,220 lb's	10,780 lb's	
HB218-26'			17,060 lb's	10,940 lb's	
HB218-28'			16,900 lb's	11,100 lb's	
HB218-30'			16,740 lb's	11,260 lb's	
HB258-24'	(2) 12K, Electric Brakes	Dual 235/80 R16	20,220 lb's	13,780 lb's	(2) 12K
HB258-26'			20,060 lb's	13,940 lb's	
HB258-28'			19,900 lb's	14,100 lb's	
HB258-30'			19,740 lb's	14,260 lb's	
HB258-32'			19,580 lb's	14,420 lb's	
HB258-34'			19,420 lb's	14,580 lb's	
HB258-36'			19,260 lb's	14,740 lb's	
HB308-24'	(3) 10K, Electric Brakes	Dual 235/80 R16	26,220 lb's	19,780 lb's	(2) 12K
HB308-26'			26,060 lb's	19,940 lb's	
HB308-28'			25,900 lb's	20,100 lb's	
HB308-30'			25,740 lb's	20,260 lb's	
HB308-32'			25,580 lb's	20,420 lb's	
HB308-34'			25,420 lb's	20,580 lb's	
HB308-36'			25,260 lb's	20,740 lb's	



HB208-28'



HB218-30'



HB308-36'